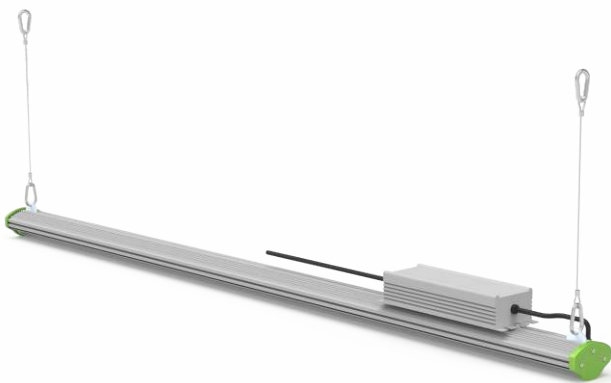




Targeted spectral S-series grow light bars maximize fast vegetative and flower growth, tighter internode spacing, and organic production.

Product description

The S-series grow light bars are ideal for commercial growers and home growers growing on vertical shelves. It has a wide-angle footprint and a targeted optimized full spectrum and various installation methods, which can fully meet the light supplementation needs of indoor planted seedlings, propagation, growth, harvesting and other stages. With IP65 rating and ETL certification, more applications of the S-series grow light bars are waiting for you to develop.



Professional manufacturer of high power industrial LED grow light for marijuana

Specifications

Model	G100V1P04-100W
Input voltage	100-277VAC,50/60Hz
Nominal wattage	100W(±5%)
Typical PPF	240μmol/s
Efficacy	2.4μmol/J
Spectrum	FSG
Dimming	0-10V
IP rating	IP65
Mounting height	6"-24" above canopy
Structure material	Al6063 & PC
Cooling	Passive
Lifetime	≥50,000hrs
Ambient operating temperature	-20°C~+40°C
Certifications	ETL,CE
Warranty	5 years
Product size	48"L x 3.1"W x 3.15"H
Product weight	5.7lb
Package size*	48.8"L x 16.5"W x 8.5"H
Package weight*	41lb

*8pcs/box

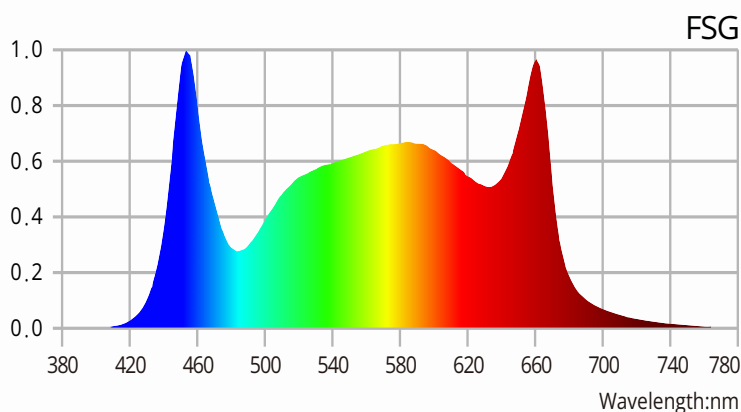
Nominal electrical AC input

AC voltage	120V	208V	240V	277V
Input current	0.85A	0.48A	0.42A	0.37A
Input power	101W	100W	100W	100W
Power factor	0.998	0.99	0.986	0.974

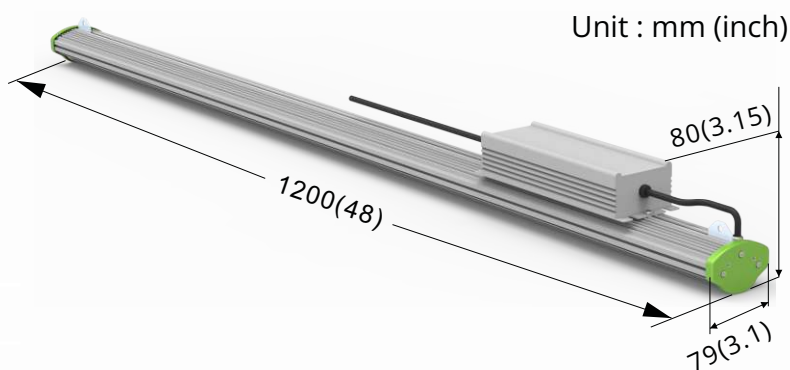
Main features

- Factory private mold, multiple installation methods
- High efficiency LEDs and brand power supplies to maximize light output with minimal consumption
- Optimized for full spectrum, dimmable lighting at all stages of plant growth and production
- More than 50% higher in PPF compared with HPS lamps
- Has strong customizability
- 0-10v dimming (dimmer not included)
- IP65 waterproof and industrial standard ensuring the fixture operate in harsh and humid environment

Full spectrum



Product size



+86 15814478470
 sales@kingrowlight.com
 www.kingrowlight.com